



SOLBERG
Discover the Possibilities

LATERAL ACCESS SILENCER FILTERS “LQB” Series Reduce Size · Simplify Maintenance



CONTACT SOLBERG OR YOUR REPRESENTATIVE FOR MORE INFORMATION, SIZING, AND AVAILABILITY.

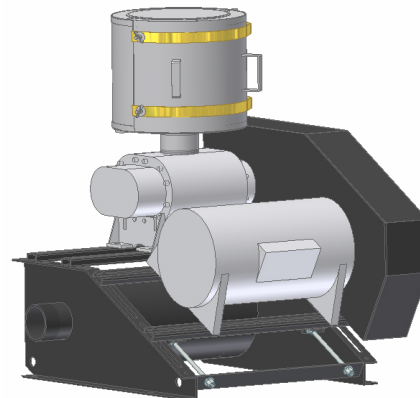
Solberg’s LQB Series helps make enclosures feasible and simplifies the maintenance process. Typical filter silencers require service area above the filter housing which increases the height and cost of the enclosure and makes servicing the unit difficult. The LQB Silencer Filter has an easy access side port which simplifies servicing and lowers the cost of your enclosure dramatically.

BENEFITS

- ♦ Lateral access silencer filter allows easy side servicing and reduced height footprint.
- ♦ **Compact** housing design used for
 - Blower systems with enclosures
 - Space restricted environments
- ♦ **Maintenance Simplified**
 - Side Access Door for visual check/cleaning
 - Quick Release support band
- ♦ Side Access enables **Reduced** overall footprint
- ♦ **Save Costs** on the size of your enclosure and the amount of packaging required
- ♦ Differentiate your Package

OPTIONS (Inquiries Encouraged)

- ♦ Total package solution when combined with Solberg’s **Compact BBF Series base frame**, ask for Bulletin PDBI for more information
- ♦ Stud outlet to bolt directly to blower
- ♦ Special connections, NPT
- ♦ Epoxy coated & *stainless steel* housings
- ♦ **Lateral access “L” style vacuum filters, “IVPL” series**



LQB Series, Lateral Access Silencer Filter with Solberg’s BBF Series, Revolutionary Compact Blower Base Frame



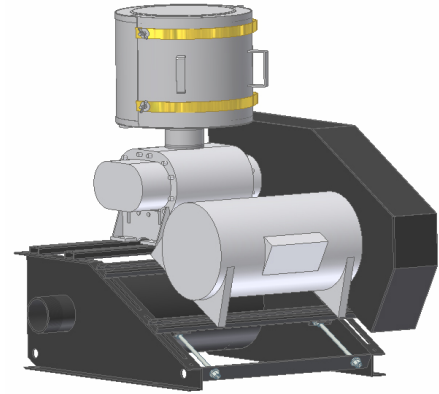
Lateral Access Silencer Filters

“LQB” Series, Reduce Size ♦ Simplify Maintenance

3” to 12” Flange 125/150# Pattern

FEATURES & SPECIFICATIONS

- ♦ Multiple silencing features, **Reduce** and **Deaden** sound
 - Tubes maximizes noise attenuation and air flow while minimizing pressure drop
 - Quiet band weatherhood utilizes sound suppression in the design of the weatherhood
- ♦ Positive sealing side access door
- ♦ Quick release support band
- ♦ Durable carbon steel construction with baked enamel gray finish
- ♦ Polyester: 99%+ removal efficiency std to 5 micron
- ♦ Paper: 99%+ removal efficiency std to 2 micron
- ♦ 1/8” tap hole for pressure drop gauge standard
- ♦ Interchangeable media: Polyester, Paper, HEPA
- ♦ Temp (continuous): min -15°F (-26°C) max 220°F (104°C)
- ♦ Filter change out differential: 10”-15” H₂O over initial delta P
- ♦ Pressure drop graphs available upon request

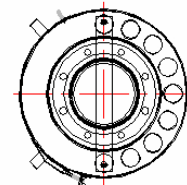
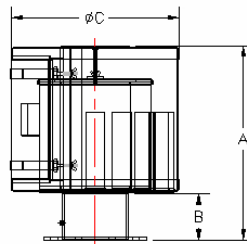


LQB Series, Lateral Access Silencer Filter with Solberg's BBF Series, Revolutionary Compact Blower Base Frame, the complete solution.

CONFIGURATION



DRAWING



Dimension tolerance $\pm 1/4"$

with Polyester Element	with Paper Element	MPT Outlet	DIMENSIONS - inches			Rated Flow SCFM	
			A	B	C	Nominal Rating	Element Rating
LQB-275P-300	LQB-274P-300	3"	18	3	15 7/8	300	1100
LQB-275P-400	LQB-274P-400	4"	18	4	15 7/8	520	1100
LQB-275P-500	LQB-274P-500	5"	18	4	15 7/8	880	1100
LQB-275P-600	LQB-274P-600	6"	19	5	15 7/8	1100	1100
LQB-275P-400F	LQB-274P-400F	4" Flg	18	4	15 7/8	520	1100
LQB-275P-500F	LQB-274P-500F	5" Flg	18	4	15 7/8	880	1100
LQB-275P-600F	LQB-274P-600F	6" Flg	19	5	15 7/8	1100	1100
LQB-377P-800F	LQB-376P-800F	8" Flg	25 3/8	6	21 7/8	1800	1825
LQB-385P-1000F	LQB-384P-1000F	10" Flg	24 1/8	6	28 5/16	3300	3300
LQB-485P-1200F	LQB-484P-1200F	12" Flg	32 1/4	6	28 5/16	3300	4705



SOLBERG®
Discover the Possibilities

